

RECFLOOD



FEATURES

LIGHTWEIGHT, HIGH OUTPUT, STANDARDIZED SPORTS LIGHTING LUMINAIRE

The new RecFlood was designed to provide a high power LED sports lighting luminaire in a standardized platform to simplify design and specification of LED retrofit projects. With a standard wattage of 600W and lumen output of over 90,000 lumens, the RecFlood is more powerful than traditional 1500W HID luminaires and will provide higher light levels and lower energy consumption in retrofit applications.

Standard Features Included

- » 0-10v dimming
- » 208-480V AC Input
- » Dim-to-Off
- » Wireless Control Ready
- » Glare control top visor



ORDERING GUIDE

EX: RF-F-300-BK-30-70-15D-1-PA

PRODUCT	MOUNTING	WATTAGE	FINISH	CCT	CRI	BEAM	INPUT VOLTAGE
RF							
RF RECFLOOD	F FLOOD	600 600	Standard BK BLACK	Standard 50 5000K	Standard 70 70	30D 30 DEGREE 60D 60 DEGREE	1 208V - 480V
			Available GR GREY WH WHITE	Available 40 4000K	Available 80 80		

OPTIONS

WATTAGE REDUCTION

Standard
PZ ZHAGA RECEPTACLE

BLANK 600W
WR460 460W
WR400 400W
WR300 300W

Available
PC 7 PIN NEMA RECEPTACLE

WRXXX CUSTOM REDUCTION TO XXX WATTS

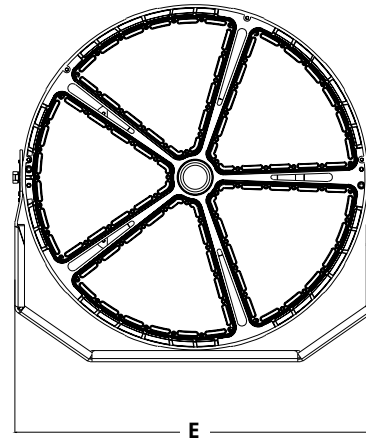
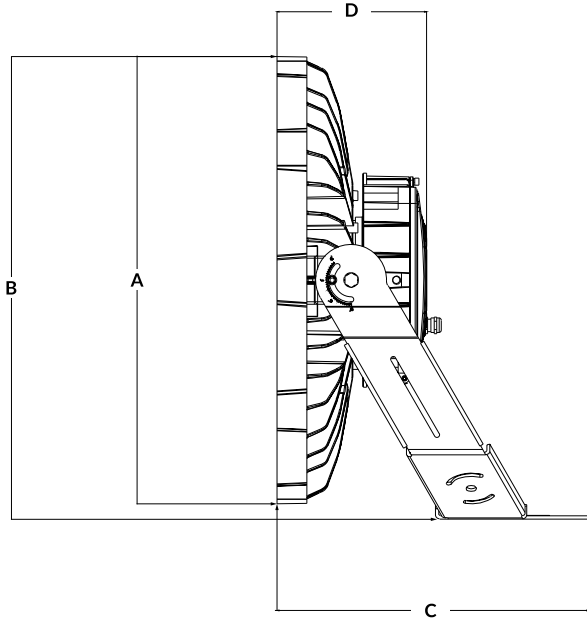
1. Standard options are most likely to be in stock or result in lower lead time and per unit cost.
2. Available options could result in longer lead time and higher per unit cost.
3. All receptacle options come standard with dust cover or shorting cap.
4. All options use the same led driver for simplified maintenance.

RECFLOOD

HIGH EFFICIENCY, LIGHT WEIGHT SPORTS LIGHTING LUMINAIRE.



DIMENSIONS



LOADING		
WEIGHT	EPA (HORIZONTAL)	EPA (25R DEGREES DOWN)
45	3.2	3.0

DIMENSIONS IN INCHES	
RECFLOOD	
A	22"
B	23"
C	12"
D	7"
E	23"

SPECIFICATIONS

GENERAL DESCRIPTION

The RecFlood is a high efficiency, compact and economical LED flood light specifically designed for the needs of parks and recreation and general flood lighting markets. The complete luminaire is UL Listed to UL1598 with a maximum ambient operating temperature of 40C. The driver and LED housings are fabricated of heavy duty die cast aluminum. The complete luminaire assembly is IP65 rated and is manufactured in an ISO 9001:2000 certified production facility.

HOUSING

To ensure long life of the drivers, the driver housing is thermally isolated from the LED housing. To increase cooling efficiency, the housing utilizes integrally cast cooling fins. The housing mounts to the support structure with a heavy gauge steel trunnion. The trunnion is designed to push the fixture forward for improved clearance and minimize light blockage. The trunnion also includes vertical aiming indication on each side of the luminaire for precision up/down adjustments.

ELECTRICAL SYSTEM

The drivers accept the specified line voltage, to within +/- 10% without the aid of an integral step down transformer. The drivers include integral transient surge protection in accordance with IEEE C62.41 4kV/4kV. The LED drivers have a minimum power factor of 0.90 with a Total Harmonic Distortion no greater than 20%. Drivers come standard with 0-10V dimming leads. The system includes a secondary surge protection system with supplementary coverage in accordance with IEEE C62.41.2 C High (10kA and 10kV Standard, 20kV is optional). The drivers include standard 1-10V dimming input and can dim to 10% output.

OPTIC ASSEMBLY

Each LED is provided with a dedicated precision cast optical constructed of PMMA. The standard top visor helps to minimize up light, spill light and glare. The visor is provided in a flat black finish to absorb, rather than reflect, spill light thereby eliminating secondary glare. The LEDs generate the specified color temperature with a tolerance of no more than +/-6.5% to ensure consistent color across the project. All CRI offerings are stated as minimum, typical CRI will be higher or equal to published minimum.

WARRANTY

The entire product shall be covered by a minimum five (5) year limited fixture warranty. Longer term warranties are available, contact CHM for additional details.

OUTPUT TABLE

CCT	CRI	DISTRIBUTION	LUMENS	BEAM	FIELD	NEMA	LPW
5000	70	30D	93000	30	50	4X4	155
5000	70	60D	94800	60	104	6X6	158